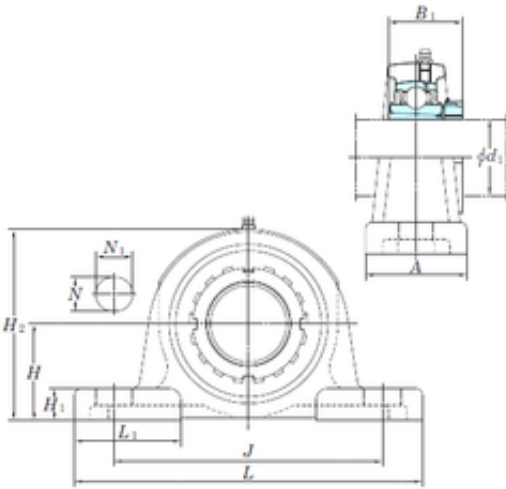




Mingda Bearing Products co., LTD

KOYO UKP324 bearing units

Bearing No. UKP324



UKP324 Bearing 2D drawings and 3D CAD models

Bore Diameter	110 mm
Width	160 mm
d	110 mm
A	140 mm
B1	112 mm
H	160 mm
H1	50 mm
H2	316 mm
J	450 mm
L	570 mm
L1	160 mm
N	40 mm
N1	55 mm
Bolt (G)	M33
Weight	55,7 Kg
Basic dynamic load rating (C)	207 kN
Basic static load rating (C0)	185 kN
Bearing No.	UKP324
Bolt size	M33
Cr	207
C0r	185
f0	13.5
B	112
S	55.7
(Refer.)Unit mass(kg)	R1/8