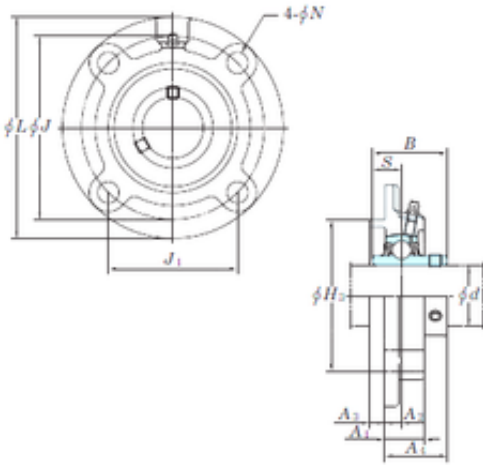




Mingda Bearing Products co., LTD



UCFC211 Bearing 2D drawings and 3D CAD models

KOYO UCFC211 bearing units

Bearing No. UCFC211

Bore Diameter	55 mm
d	55 mm
H3	125 mm
A4	46,4 mm
A1	31 mm
B	55,6 mm
J	150 mm
L	185 mm
N	19 mm
S	22,2 mm
Bolt (G)	M16
A2	13 mm
A3	12 mm
J1	106,1 mm
Weight	4,2 Kg
Basic dynamic load rating (C)	43,4 kN
Basic static load rating (C0)	29,4 kN
Bearing No.	UCFC211
Bolt size	M16
Cr	43.4
C0r	29.4
f0	14.4
(Refer.)Unit mass(kg)	4.2
Nipple size	R1/8