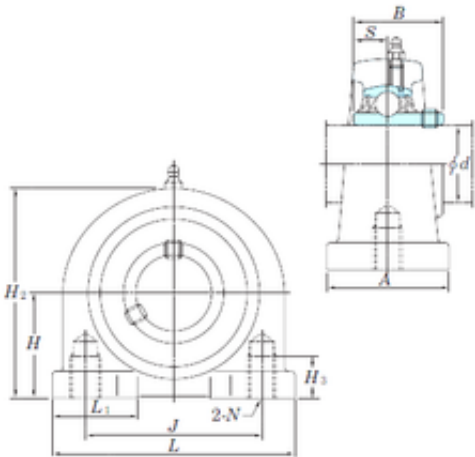




# Mingda Bearing Products co., LTD

## KOYO UCPA202-10 bearing units

Bearing No. UCPA202-10



UCPA202-10 Bearing 2D drawings and 3D CAD models

|                               |           |
|-------------------------------|-----------|
| Bore Diameter                 | 15,875 mm |
| Width                         | 31 mm     |
| d                             | 15,875 mm |
| H3                            | 13 mm     |
| A                             | 40 mm     |
| B                             | 31 mm     |
| H                             | 30,2 mm   |
| H2                            | 60 mm     |
| J                             | 52 mm     |
| L                             | 76 mm     |
| L1                            | 27 mm     |
| S                             | 12,7 mm   |
| Bolt (G)                      | M10 × 1,5 |
| Weight                        | 0,62 Kg   |
| Basic dynamic load rating (C) | 12,8 kN   |
| Basic static load rating (C0) | 6,65 kN   |