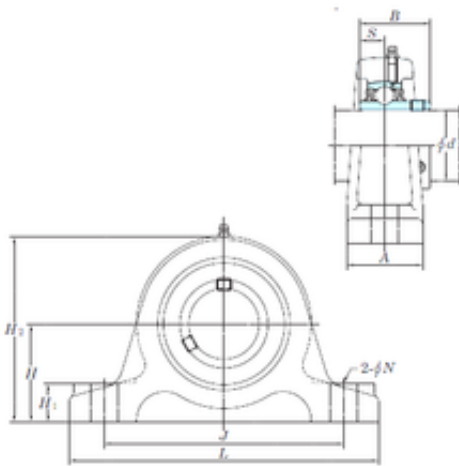




Mingda Bearing Products co., LTD



UCIP328 Bearing 2D drawings and 3D CAD models

KOYO UCIP328 bearing units

Bearing No. UCIP328

Bore Diameter	140 mm
Width	145 mm
d	140 mm
A	110 mm
B	145 mm
H	200 mm
H1	55 mm
H2	400 mm
J	500 mm
L	590 mm
N	35 mm
S	59 mm
Bolt (G)	M33
Weight	87 Kg
Basic dynamic load rating (C)	253 kN
Basic static load rating (C0)	246 kN
Bearing No.	UCIP328
Bolt size	M33
Cr	253
C0r	246
f0	13.6
(Refer.) Unit mass(kg)	87.0
Nipple size	R1/8